

## VISTA FOLD DOWN LADDER SYSTEM

The Vista range of Fold Down Access Ladder Systems provides a sturdy, high strength solution where safe access and egress to ceiling or roof is gained internally.

Vista is ideally suited to offices and apartments, store rooms, mezzanines and showrooms where space, ease of use and contemporary appearance are key considerations.

From floor to ceiling, through ceiling space, onto roof...the Vista does it all.

- > Quick and easy on site installation
- > Lightweight, robust, maintenance free
- > Increased safe working load of 150kg – industrial rated
- > Modular and adaptable to all ceiling types
- > Low aesthetic appearance, pre-finished to suit surrounds
- > Soft closing mechanism, suited to frequent usage
- > Ideally and easily incorporated with Skydore Roof Access Hatch

**“NEVER HAS SAFETY  
IN THE WORKPLACE  
HAD A HIGHER  
PRIORITY”**





FROM FLOOR TO CEILING,  
THROUGH CEILING SPACE,  
ONTO ROOF...VISTA DOES IT ALL.



**VISTA**   
FOLD DOWN LADDERS

ACCESS THE SAYFA® WAY



Suits all ceiling types up to 4300mm

Sturdy high strength aluminium construction

Retractable stiles for safe access through roof hatch

Skydore Roof Hatch

Vista Internal Ceiling Ladder

Vista Ladder Suspension kit system supported off roof structure

Pre-finished heavy duty aluminium support frame

Soft close gas strut assisted door

200mm foot clearance between door and ladder

Pre-finished laminate ladder door

Unique non slip profiled rung for comfort and ease of use

Industrial rated - 150kg

Lower ladder module cut to suit required ceiling height

Adjustable feet inserts to suit final floor level

# DESIGNED & ENGINEERED FOR TIMBER TRUSS ROOF CONSTRUCTION

**VISTA**<sup>®</sup>  
compact



The Vista Compact Fold Down Access Ladder System provides a sturdy, high strength solution where safe access/egress to roof is gained internally. The industrial rated Vista Compact is ideally suited to timber truss roof construction allowing positioning of the ladder between the trusses providing safe and easy access into ceiling spaces and onto roof areas for maintenance personnel.

**SPECIFICATION CODE:** Vista Fold Down Ladder (LD462) – timber truss with plaster ceilings

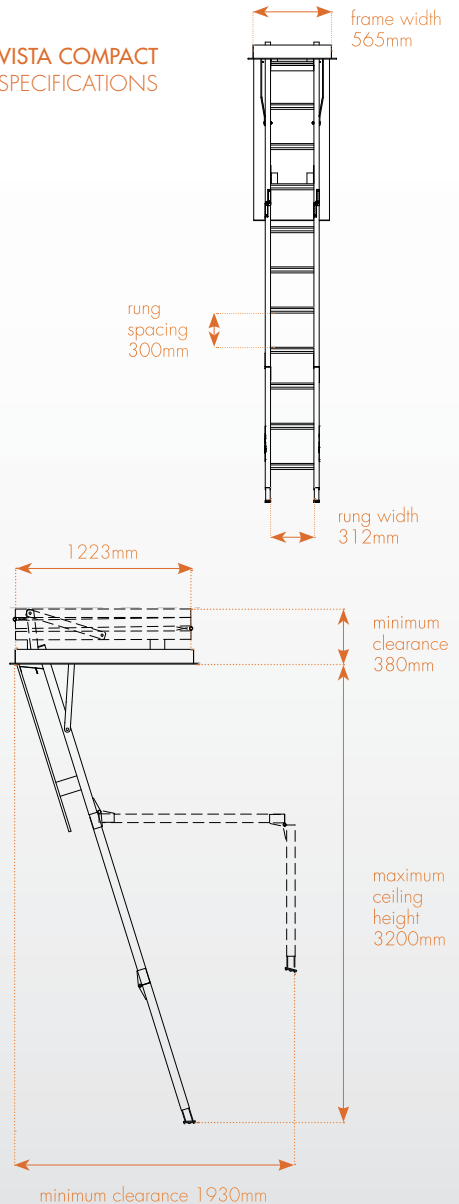
**FLOOR TO CEILING HEIGHT:** 2200mm x 3200mm

**CEILING OPENING REQUIRED:** 1230mm x 570mm

**WEIGHT:** 32kg (excludes accessory items)

**WORKING LOAD LIMIT:** Industrial Rated – 150kg (Recommended for single person use, suited to high frequency usage.)

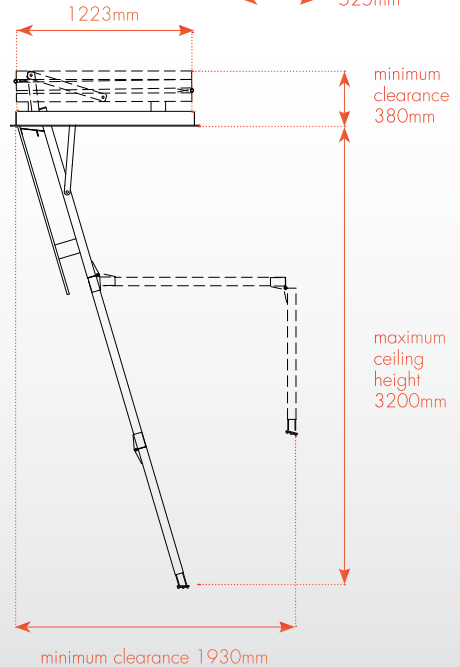
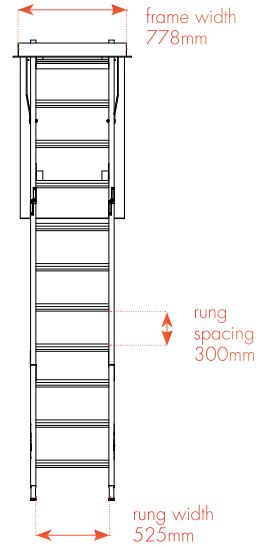
## VISTA COMPACT SPECIFICATIONS



# DESIGNED & ENGINEERED FOR PURLIN ROOF CONSTRUCTION



## VISTA COMMERCIAL SPECIFICATIONS



The Vista Commercial Fold Down Access Ladder System provides a sturdy, high strength solution where safe access/egress to roof is gained internally. The industrial rated Vista Commercial is ideally suited to purlin type roof structure incorporating a suspended ceiling through which safe and easy access into ceiling spaces and onto roof areas provided for maintenance requirements.

**SPECIFICATION CODE:** Vista Fold Down Ladder (LD461) – standard or suspended ceiling type

**FLOOR TO CEILING HEIGHT:** 2200mm to 3200mm

**CEILING OPENING REQUIRED:** 1230mm x 785mm

**WEIGHT:** 40kg (excludes accessory items)

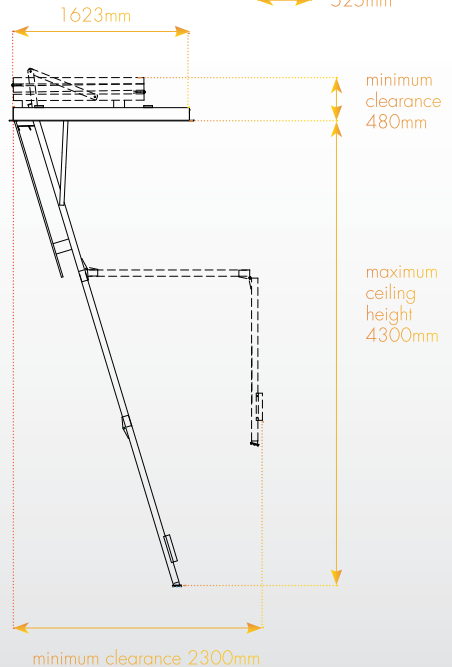
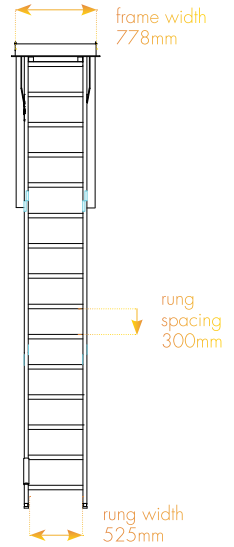
**WORKING LOAD LIMIT:** Industrial Rated: – 150kg (Recommended for single person use, suited to high frequency usage.)

CALL \ 1300 301 755

DESIGNED & ENGINEERED  
FOR HIGHER PURLIN ROOF  
CONSTRUCTION

**VISTA**<sup>®</sup>  
maxi

VISTA MAXI  
SPECIFICATIONS



The Vista Maxi Fold Down Access Ladder System provides a sturdy, high strength solution where safe access/egress to roof is gained internally. The industrial rated Vista Maxi is ideally suited to higher purlin type roof structures incorporating a suspended ceiling providing safe and easy access into ceiling spaces and onto roof areas for maintenance requirements.

SPECIFICATION CODE: Vista Fold Down Ladder (LD463) – standard or suspended ceiling type

FLOOR TO CEILING HEIGHT: 2200mm to 4300mm

CEILING OPENING REQUIRED: 1630mm x 785mm

WEIGHT: 50kg (excludes accessory items)

WORKING LOAD LIMIT: Industrial Rated – 150kg (Recommended for single person use, suited to high frequency usage.)



## ACCESS HATCH SYSTEM

The Skydore Roof hatch is designed to be integrated with the Vista Fold Down Access Ladder System providing a safe, all in one access system – from floor to ceiling, through ceiling space and onto roof.

### TRAY DECK ACCESS HATCH

SPECIFICATION CODE: LD493.10  
OPENING SIZE: 800mm x 800mm  
OVERALL SIZE: 1105mm x 1105mm x 230mm  
WEIGHT: 28kg

### CORRUGATED DECK ACCESS HATCH

SPECIFICATION CODE: LD493.20  
OPENING SIZE: 800mm x 800mm  
OVERALL SIZE: 1165mm x 1165mm x 165mm  
WEIGHT: 28kg

## CEILING ACCESS SYSTEM

### CEILING LADDER WITH RETRACTABLE STILES

Internal ceiling ladder includes retractable stiles for safe and easy access onto roof area – minimum ceiling space 1500mm.

#### SPECIFICATION CODE:

LD3.240 – Up to 2400mm internal ceiling height  
LD3.360 – Up to 3600mm internal ceiling height

### CEILING LADDER WITH HATCH GRABRAILS

Internal ceiling ladder with hatch grabrails is ideally suited to ceiling heights less than 1500mm, and where retractable stiles cannot be used.

#### SPECIFICATION CODE:

LD410 – Up to 1200mm internal ceiling height  
LD411 – Up to 2400mm internal ceiling height  
LD416 – Hatch grabrail set

## VISTA

### SPECIFICATION GUIDE

#### PRODUCT & SPECIFICATION CODE

Vista Compact (LD462)  
Vista Commercial (LD461)  
Vista Maxi (LD463)

#### MATERIAL

Ladder sections – high tensile extruded aluminium  
Support frame – high tensile extruded aluminium  
(white powdercoated)  
Mounting door – pre-finished 18mm white laminate panel  
or paintable MDF board

#### DIMENSIONS

Ladder rung spacings – 300mm  
Ladder width between stiles – 312mm to 525mm  
To suit ceiling height – 2200mm to 4300mm

#### WEIGHT (excluding any accessory items)

Vista Compact – 32kg  
Vista Commercial – 40kg  
Vista Maxi – 50kg

#### WORKING LOAD LIMIT

Recommended for single person use – 150kg  
> Industrial rated, suited to high frequency usage  
> Support structure integrity, suitability and fixing method  
to be assessed and determined by a competent person  
prior to installation

#### COMPLIANCE

Vista Access Ladders are designed and manufactured  
generally in accordance with relevant requirements and  
sections of Australian Standard AS1657:1992,  
AS/NZS 1892:1996 and relevant statutory OHS Codes  
of Practice/Guidelines.  
(Compliance letter available upon request.)

#### PRODUCT WARRANTY

1 year from date of purchase subject to  
correct installation, use and maintenance  
in accordance with manufacturer's  
specifications and recommendations.

#### INSPECTION AND MAINTENANCE

Visual inspection for any damage or loose  
fixings must be done periodically and  
prior to use. No certified maintenance is  
required. Basic wear and tear preventative  
maintenance is recommended, as  
per manufacturer's specifications and  
recommendations.  
(Refer instruction manual.)

#### IMPORTANT NOTE

Failure to supply and/or install proprietary  
product in accordance with above  
standards and codes, specifications  
and instructions voids complete system  
certification and/or warranty.

*Designed and manufactured  
by Sayfa Systems*

44 Kalman Drive,  
Boronia VIC 3155  
T \ 1300 301 755  
F \ 1300 881 092  
E \ info@sayfa.com.au  
W \ www.sayfa.com.au



## VISTA<sup>®</sup> COMPACT FOLD DOWN LADDER SYSTEM

The Vista Compact Fold Down Ladder Access System provides a sturdy, high strength solution where safe access/egress to roof is gained internally. The industrial rated Vista Compact is ideally suited to timber truss roof construction allowing positioning of the ladder between the trusses providing safe and easy access into ceiling spaces and onto roof areas for maintenance personnel.

- > Quick and easy on site installation
- > Lightweight, robust, maintenance free
- > Increased safe working load of 150kg – industrial rated
- > Modular and adaptable to all ceiling types
- > Ideally suited to timber trusses with plaster ceilings
- > Low aesthetic appearance, pre-finished to suit surrounds
- > Soft closing mechanism
- > Ideally and easily incorporated with Skydore Roof Access Hatch.

### SPECIFICATION CODE

Vista Fold Down Ladder (LD462) – Timber Truss with Plaster Ceilings

### Specification Summary

Supply and install the proprietary Vista Compact Fold Down Ladder Access System as per manufacturer, Sayfa Systems, recommendations. High strength, lightweight, commercial/industrial rated, pre-finished aluminium fold down ladder system to provide unrestricted safe access to ceiling, roof or other elevated areas. Ladder system to suit vertical heights between 2200mm and 3200mm. (Refer instruction manual.)

Incorporates the following accessories as required:

- > LD3 Vista Ceiling Ladder System – to provide access in space between ceiling level and roof level – mounted inside the suspension kit (incorporating retractable stiles or hatch grabrails)
- > LD493 Skydore Roof Access Hatch – to allow unrestricted access from internal ladder to roof

### System Applications

- > Provides controlled internal access for workmen to roof area for maintenance of roof mounted plant and equipment
- > Ideal ceiling access for access and inspection of ceiling mounted plant and equipment
- > Suited to locations where portable ladder access is unsafe or cumbersome – hospitals, schools, apartments, offices, etc
- > Fold away feature provides a controlled, authorised access system – with optional locking facility

### Technical Data

#### Material

Ladder sections – high tensile extruded aluminium

Support frame – high tensile extruded aluminium (white powdercoated)

Mounting door – pre-finished 18mm white laminate panel or paintable MDF board

#### Dimensions

Ladder rung spacings – 300mm

Ladder width between stiles – 312mm

To suit ceiling height – 2200mm to 3200mm

Ceiling opening required – 1230mm x 570mm

Minimum ceiling space required – 380mm

### Weight

32kg (excludes any accessory items)

### Working Load Limit

Recommended for single person use – 150kg

> Industrial rated, suited to high frequency usage

> Support structure integrity, suitability and fixing method to be assessed and determined by a competent person prior to installation

### Compliance

Vista Access Ladders are designed and manufactured generally in accordance with relevant requirements and sections of Australian Standards AS1657:1992, AS/NZS 1892:1996 and relevant statutory OHS Codes of Practice/Guidelines. (Compliance letter available upon request.)

### Product Warranty

1 year from date of purchase subject to correct installation, use and maintenance in accordance with manufacturer's specifications and recommendations.

### Inspection and Maintenance

Visual inspection for any damage or loose fixings must be done periodically and prior to use. No certified maintenance is required. Basic wear and tear preventative maintenance is recommended, as per manufacturer's specifications and recommendations. (Refer instruction manual.)

### Important Note

Failure to supply and/or install proprietary product in accordance with above standards and codes, specifications and instructions voids complete system certification and/or warranty.

### Technical Support

#### Sayfa Systems

T \ 1300 301 755

F \ 1300 881 092

E \ [technical@sayfa.com.au](mailto:technical@sayfa.com.au)

W \ [www.sayfa.com.au](http://www.sayfa.com.au)

*Designed and manufactured by Sayfa Systems*